

600NH8A

Linkage ball B(M3x3)
球頭B (M3x3) (φ4.75x9.77mm) x 2

Socket collar screw
圓頭內六角軸套螺絲(M3x22mm) x 1

M3 Nut
M3防鬆螺帽 x 1

600NH8

Bearing 683ZZ
683ZZ軸承(φ3xφ7x3mm)x4

Bearing FMR52ZZ
FMR52ZZ軸承(φ2xφ5x2.3mm) x 4

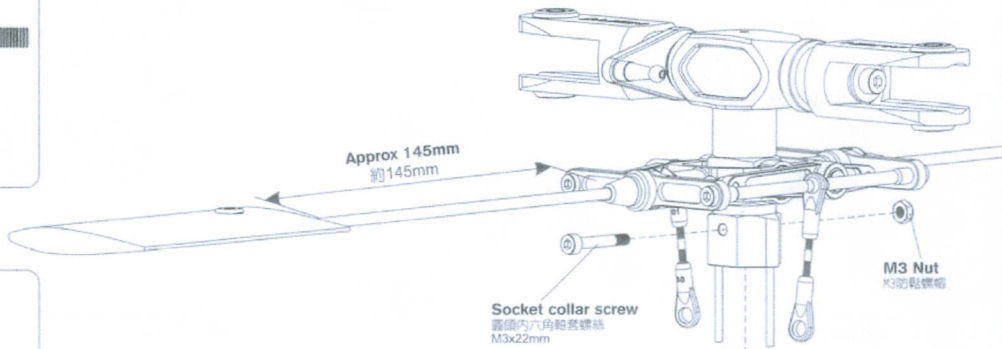
Socket screw
圓頭內六角螺絲(M2x5mm) x 4

Socket button head screw
半圓頭內六角螺絲(M3x12mm) x 2

Washer
華司(φ3xφ4.8x0.3mm) x 2

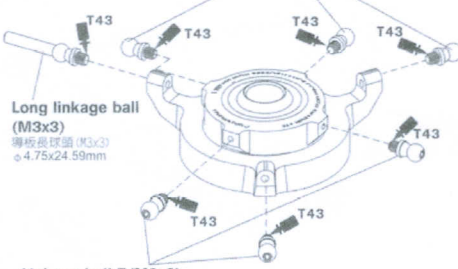
Collar
擺臂軸承環套(φ3xφ4.8x1.5mm) x 2

Apply a little amount of T43 thread lock when fixing a metal part.
螺絲鎖附於金屬件時使用適量T43(螺絲膠)

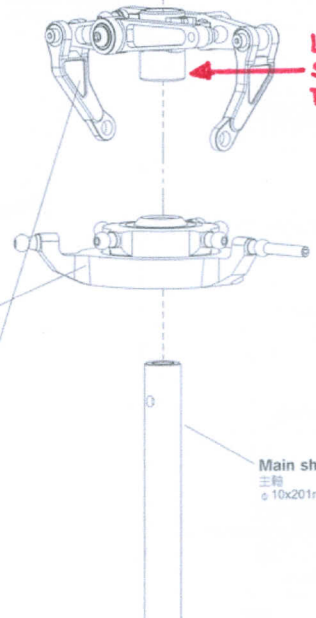


600NH5A

Linkage ball B(M3x3)
球頭B (M3x3)
φ4.75x9.77mm



LONG SIDE DOWN



CAUTION 注意

Already assembled by Factory.
Before flying, please check if the screws are fixed with glue.
原裝組裝完成品，每一次飛行前請先確認螺絲是否已上膠不會鬆動。

